



**Pump Model - version**

EUROINOX 40/50 M - N.1.- -

Attention: check the correspondence with the serial number of the pump.

Company Name  
Reference  
Phone  
Fax  
E-mail

Receiver

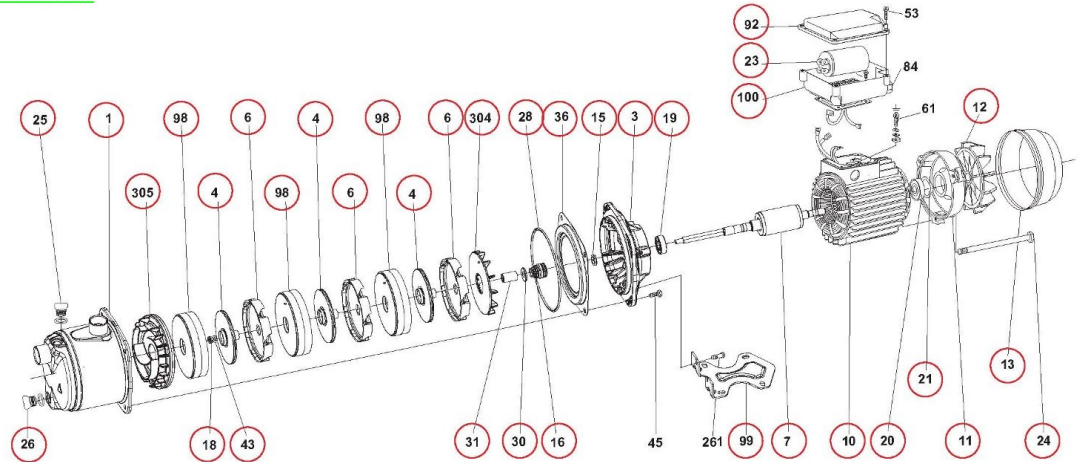
From

EUROINOX 40/50 M - N.1.- - @ 102470280\_c

EUROINOX 40/50 M @ 102470280

Item	Q.ty	Item no.	Description	Unit pr.
1	1	148121110	PUMP BODY	On req.
3	1	161430100	&MOTOR SUPPORT MEC 71	On req.
4	4	150761091	IMPELLER GFN2	On req.
6	4	162860480	DIFFUSER	On req.
7	1	145002710	SHAFT W/ROT.EURO 40/50-30/80	On req.
10	1	130645270	MOTOR MEC71 H80 NB 220/240/50	On req.
11	1	164030020	MEC 71 MOTOR COVER	On req.
12	1	160760240	FAN MEC71	On req.
13	1	164200010	MEC 71 FUN COVER	On req.
15	1	002210558	V-RING D.13,5-15X5,5H	On req.
16	1	148620440	COMPLETE MECH.SEAL D.15	On req.
18	1	002520633	HEX.NUT AUTOB.M8 INOX A4 UNI7474	On req.
19	1	002310103	6302-2RSH D.15X42X13 BEARING	On req.
20	1	002310102	6202-2RSH D.15X35X11 BEARING	On req.
21	1	002570001	LMKAS D.35B THRUST WASHER	On req.
23	1	002710005	20 UF X 450V CAPACITOR MAX D.45X75MM	On req.
24	3	167100010	MEC 71 M5 X 135 MOTOR TIE ROD	On req.
25	1	168460080	PRIMING PLUG 3/8"	On req.
26	1	168460080	PRIMING PLUG 3/8"	On req.
28	1	002220377	OR-4600 151,99X 3,53 NBR	On req.
30	1	168300150	WASHER A.316	On req.
31	1	162560020	SEAL SPACER	On req.
36	1	161000270	&DISC SEAL	On req.
43	1	002523059	FLAT WASHER D.8,4X17AISI316UNI6592	On req.
92	1	147120260	TERM. BOX COVER WITH GASKET	On req.
98	5	161360480	DIFFUSER BODY -NORYL	On req.
99	1	161500360	&FOOT BRACKET	On req.
100	1	140040010	TERM-BOX KIT STANDARD	On req.

NON INTERACTIVE



Project	Project ID	Created by	Created on 2013-06-13	Last update
---------	------------	------------	--------------------------	-------------



**Pump Model - version**

EUROINOX 40/50 M - N.1.- -

Attention: check the correspondence with the serial number of the pump.

Company Name  
Reference  
Phone  
Fax  
E-mail

Receiver

From

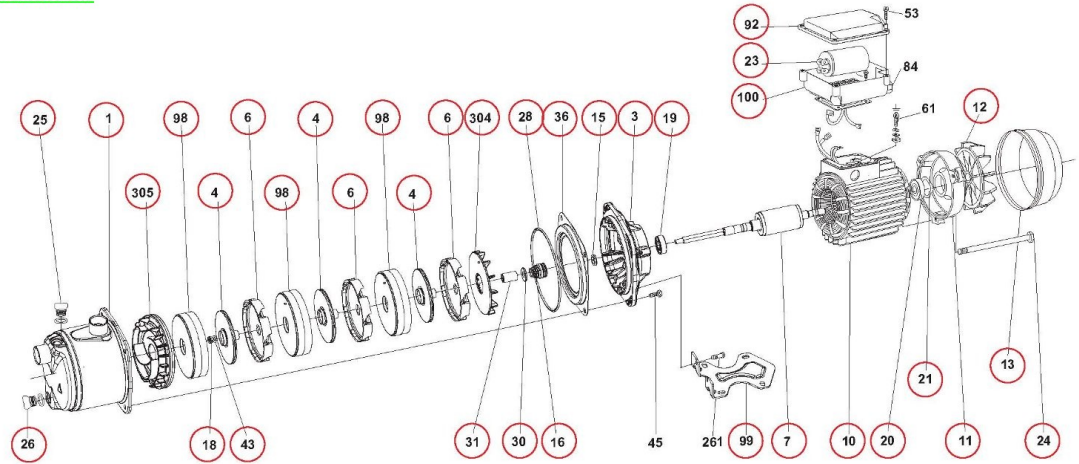
Serial Number

EUROINOX 40/50 M - N.1.- - @ 102470280\_c

EUROINOX 40/50 M @ 102470280

Item	Q.ty	Item no.	Description	Unit pr.
304	1	161060520	REAR DISC EURO PULSAR	On req.
305	1	142860070	FLANGE	On req.
328	1	168300240	WASHER	On req.
550	1	140040050	COMPL. TER.-BOX NB	On req.

NON INTERACTIVE



Project

Project ID

Created by

Created on  
2013-06-13

Last update